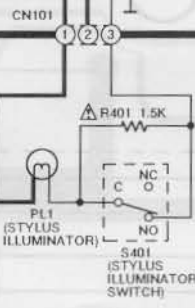
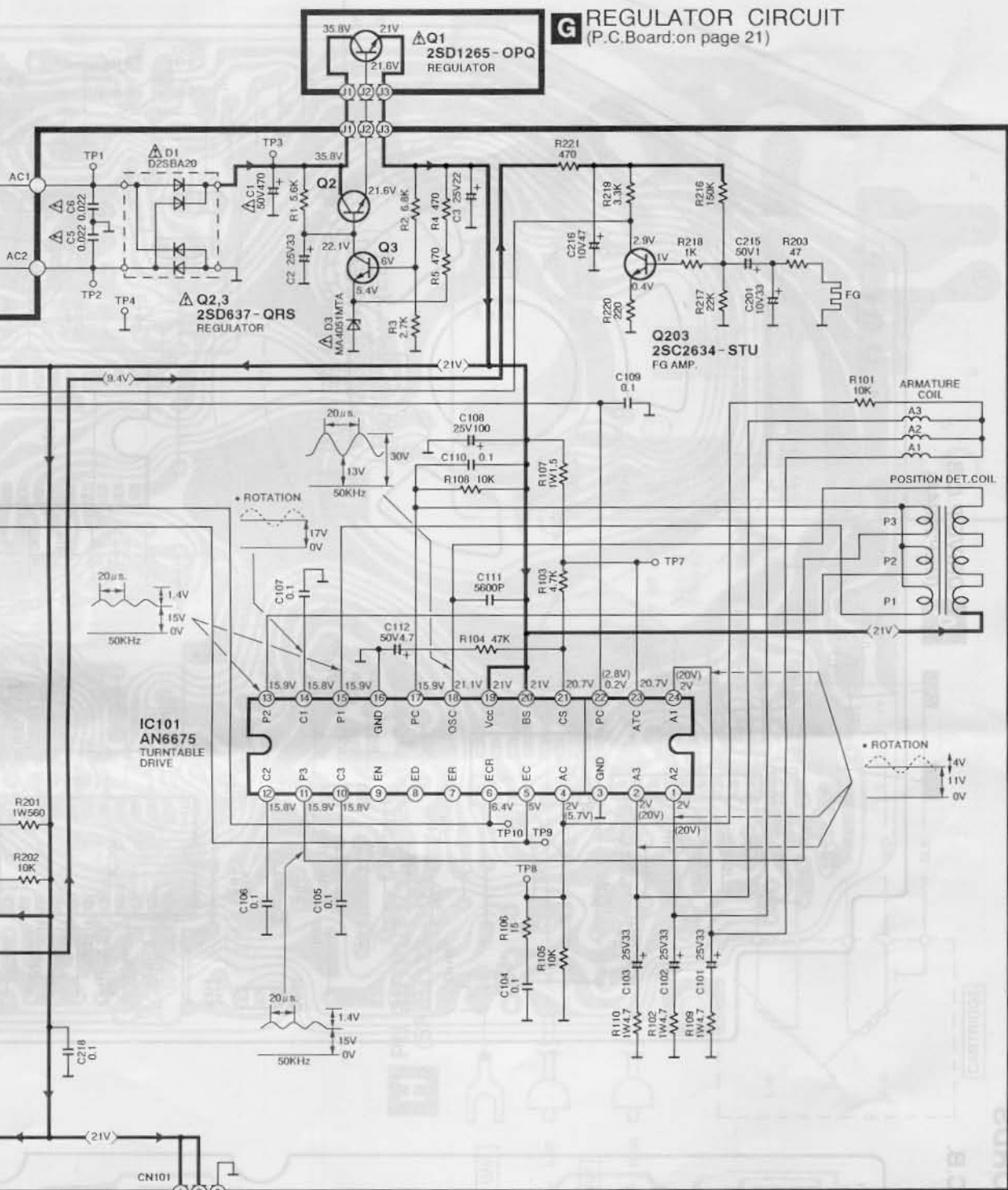
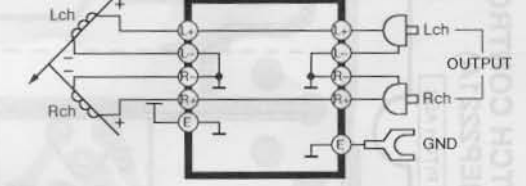


G REGULATOR CIRCUIT
(P.C. Board: on page 21)



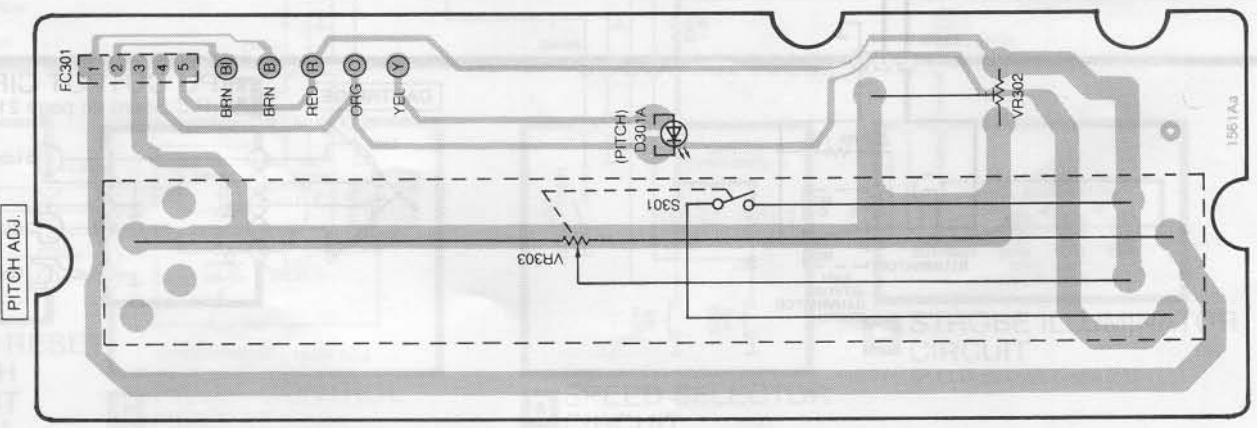
H PU OUTPUT CIRCUIT
(P.C. Board: on page 21)



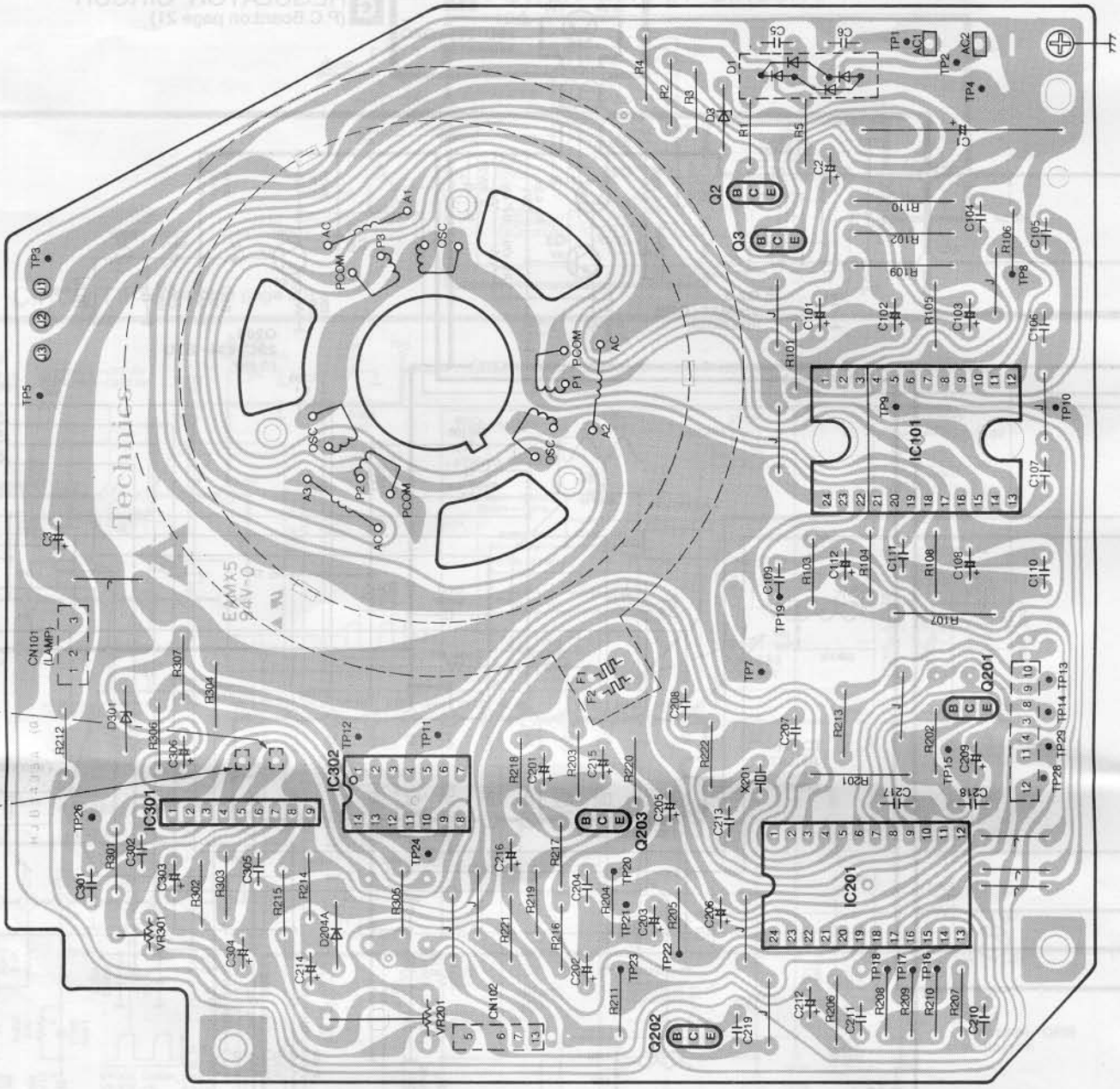
REGULATOR CIRCUIT
(P.C. Board on page 21)

PRINTED CIRCUIT BORDS

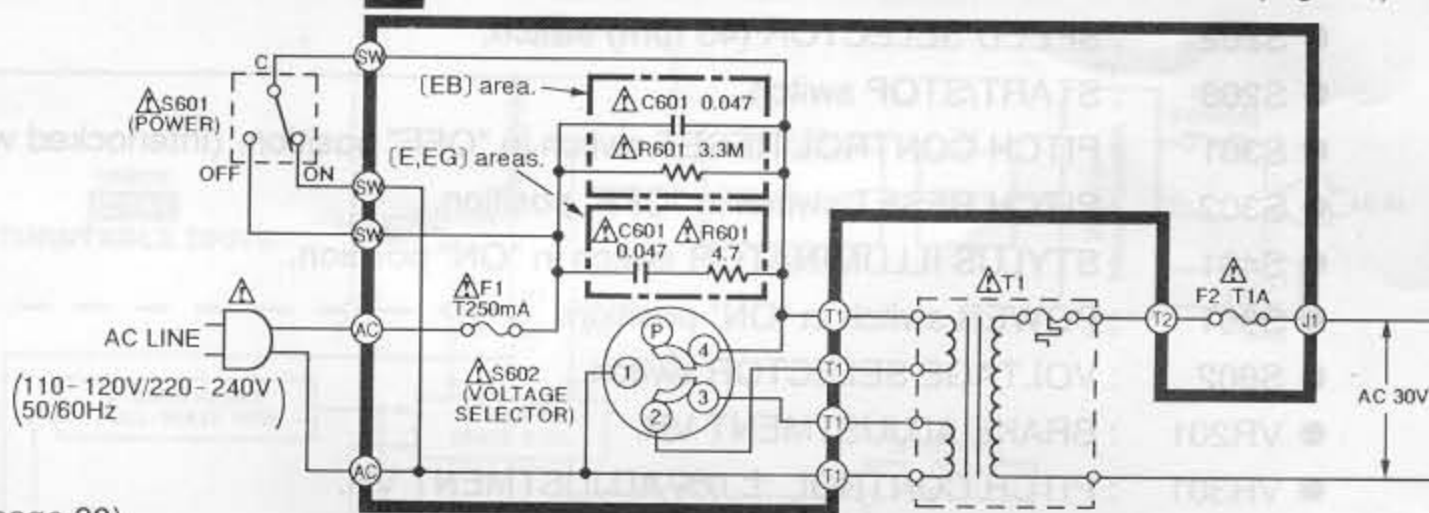
C PITCH CONTROL P.C.B.
(REP2221A)



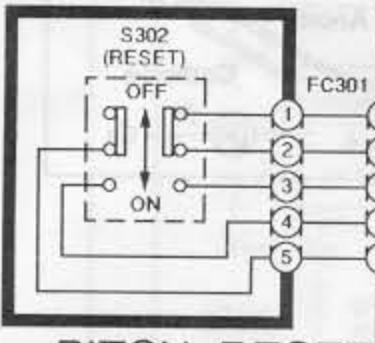
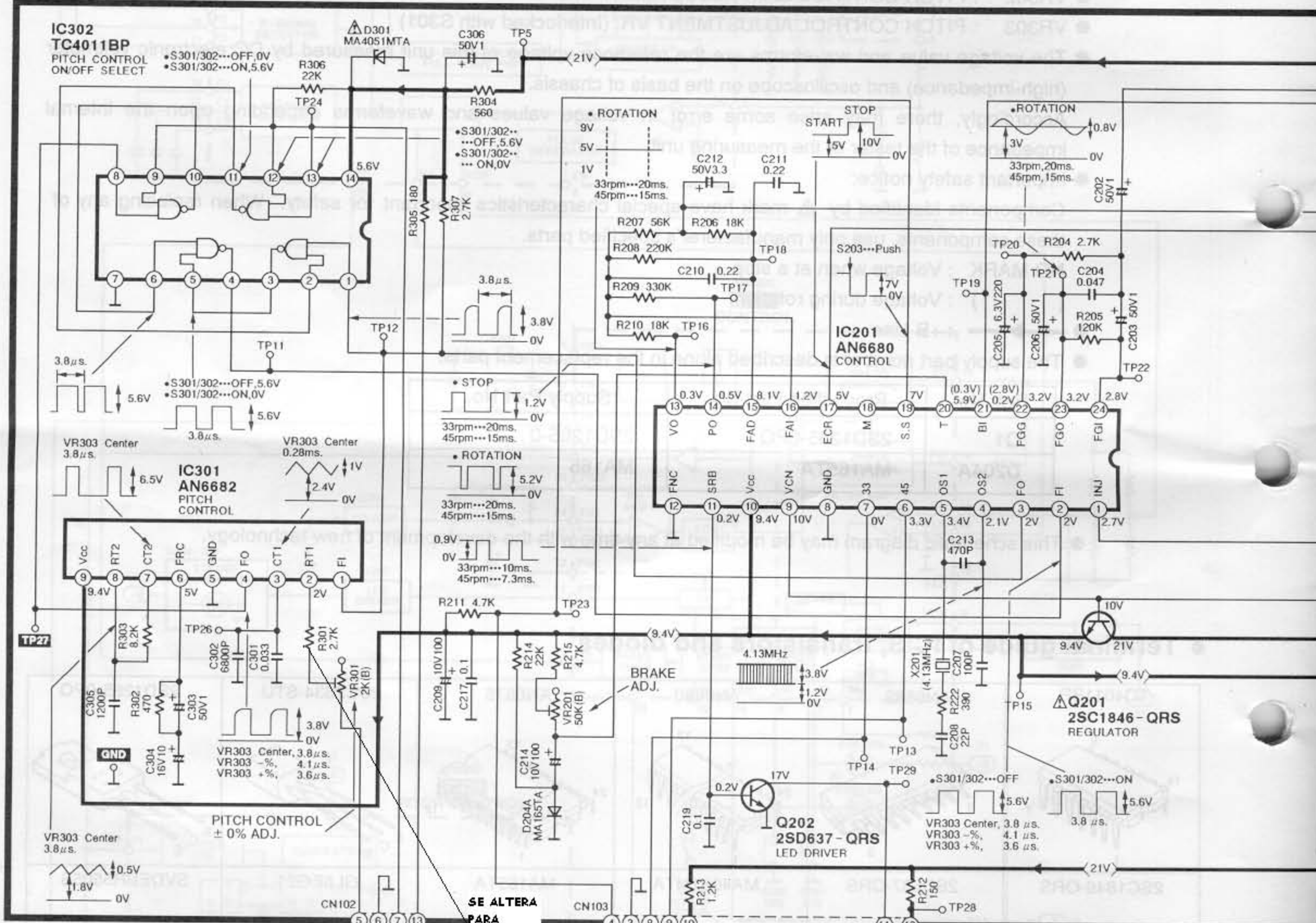
A DRIVE P.C.B.
(REP2094A)



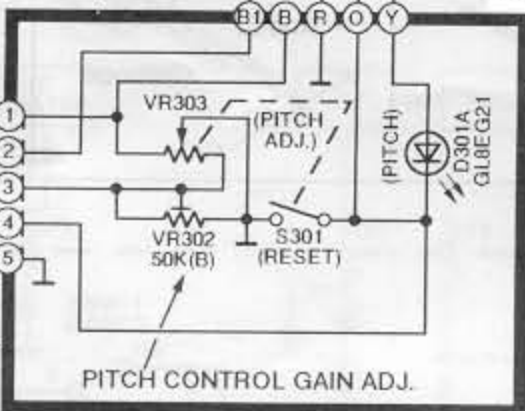
F POWER SUPPLY CIRCUIT (P.C.Board: on page 21)



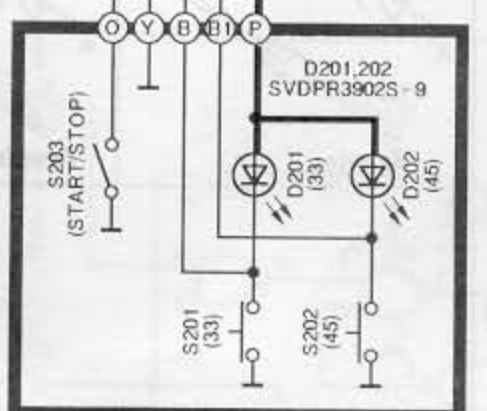
A DRIVE CIRCUIT (P.C.Board: on page 20)



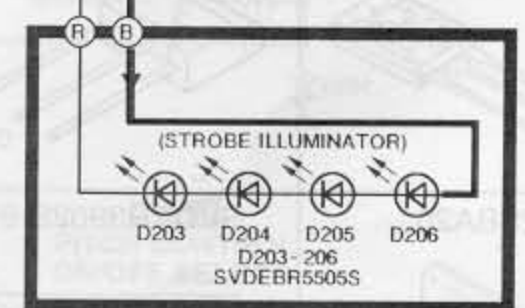
B PITCH RESET SWITCH CIRCUIT (P.C.Board: on page 21)



C PITCH CONTROL CIRCUIT (P.C.Board: on page 20)



D SPEED SELECTOR CIRCUIT (P.C.Board: on page 21)



E STROBE ILLUMINATOR CIRCUIT (P.C.Board: on page 21)